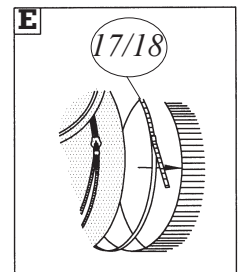
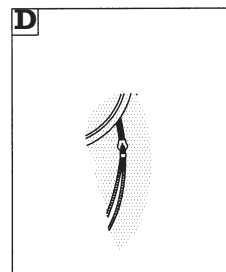
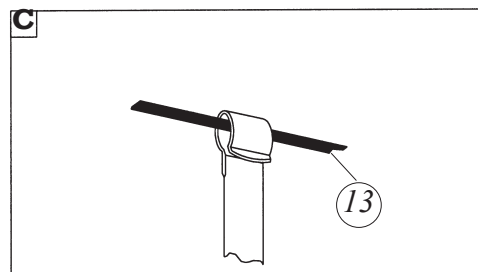
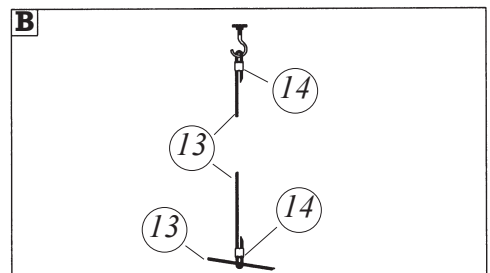
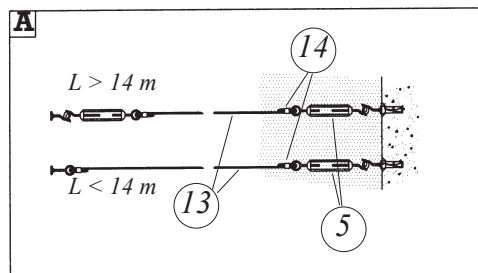
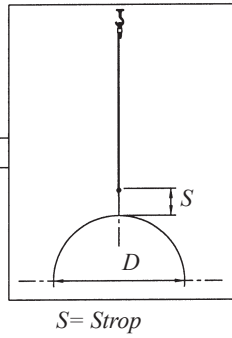
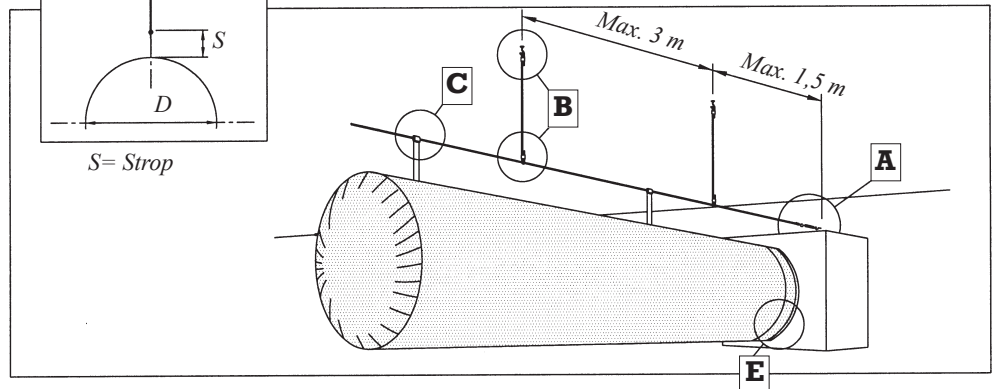
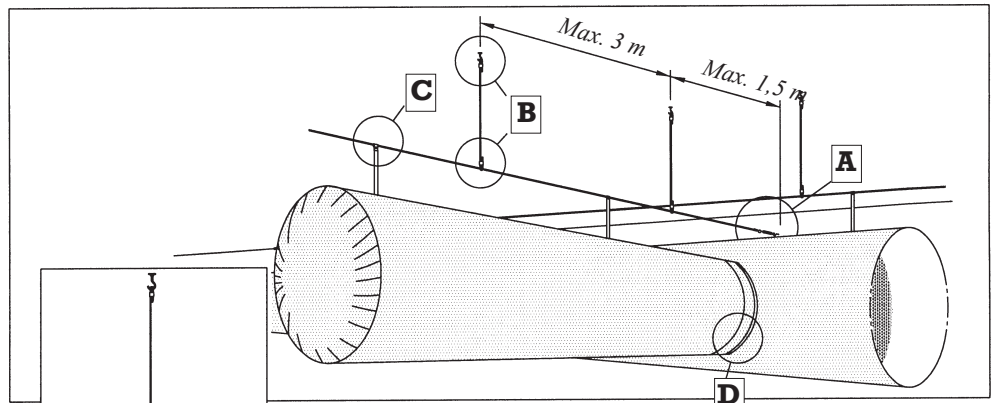


Montage type:

1



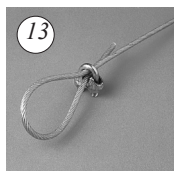
min/mtr.



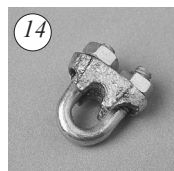
Standard



Wire strammer



Wire



Wire l s 3/16"



B ndsp nde
No. 17 - max. dia.500 mm



Ludhof sele
No. 18 - dia > 500 mm

FabricAir